



XD-9001A  
GA-AB-SWC-EL-SWB1-HB  
02/13/2012

**Simple. Smart.**



## XLT Oven & AVI Hood Specifications

For use with the following XLT GAS Oven Versions:

Australia (A) B  
Standard (S) C  
World (W) C

For use with the following AVI Hood Versions:

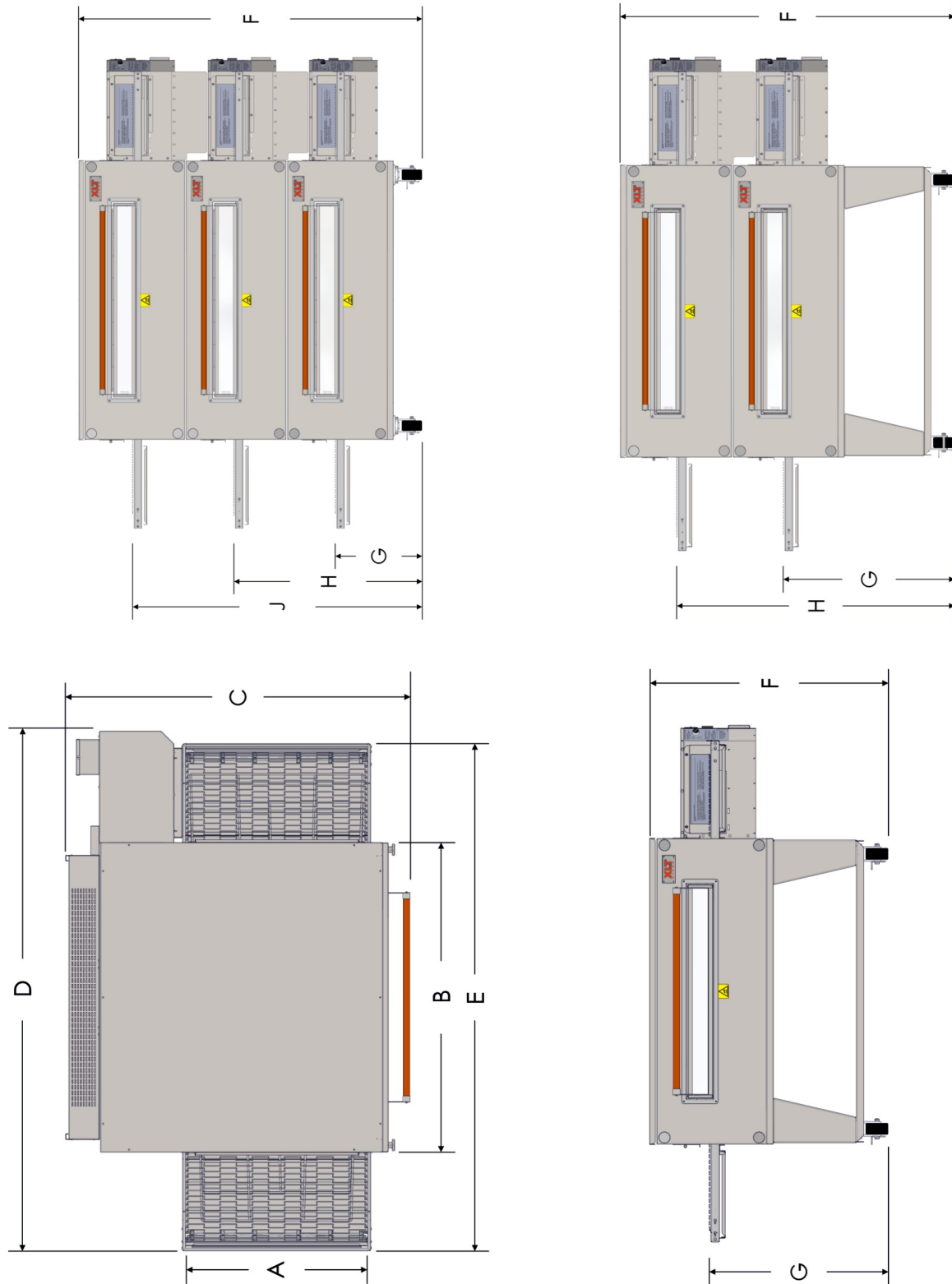
Standard (S) B  
World (W) B

For use with the following XLT ELE Oven Versions:

Standard (S) B1  
World (W) B1



# OVEN DIMENSIONS



NOTE: Model 1855 not available in Gas fired configuration. Model 3270 & 3870 not available in Electrically heated configuration.

SINGLE STACK	A	B	C	D	E	F	G	H	J	WEIGHT
1832	18	32	47 1/4	70	67 1/4	42 3/4	32	N/A	N/A	477
	[457]	[813]	[1200]	[1778]	[1708]	[1086]	[813]			[216]
1855	18	55	47 1/4	93	90 1/4	42 3/4	32	N/A	N/A	624
	[457]	[1397]	[1200]	[2362]	[2292]	[1086]	[813]			[283]
2440	24	40	53 1/4	78	75 1/4	42 3/4	32	N/A	N/A	543
	[610]	[1016]	[1353]	[1981]	[1911]	[1086]	[813]			[246]
3240	32	40	61 1/4	78	75 1/4	42 3/4	32	N/A	N/A	629
	[813]	[1016]	[1556]	[1981]	[1911]	[1086]	[813]			[285]
3255	32	55	61 1/4	93	90 1/4	42 3/4	32	N/A	N/A	757
	[813]	[1397]	[1556]	[2362]	[2292]	[1086]	[813]			[343]
3270	32	70	61 1/4	110 3/4	105 1/4	42 3/4	32	N/A	N/A	985
	[813]	[1778]	[1556]	[2813]	[2673]	[1086]	[813]			[447]
3855	38	55	67 1/4	93	90 1/4	42 3/4	32	N/A	N/A	829
	[965]	[1397]	[1708]	[2362]	[2292]	[1086]	[813]			[376]
3270	38	70	67 1/4	110 3/4	105 1/4	42 3/4	32	N/A	N/A	1077
	[965]	[1778]	[1708]	[2813]	[2673]	[1086]	[813]			[489]
DOUBLE STACK	A	B	C	D	E	F	G	H	J	WEIGHT
1832	18	32	47 1/4	70	67 1/4	62 3/4	32	52	N/A	863
	[457]	[813]	[1200]	[1778]	[1708]	[1594]	[813]	[1321]		[391]
1855	18	55	47 1/4	93	90 1/4	62 3/4	32	52	N/A	1141
	[457]	[1397]	[1200]	[2362]	[2292]	[1594]	[813]	[1321]		[518]
2440	24	40	53 1/4	78	75 1/4	62 3/4	32	52	N/A	981
	[610]	[1016]	[1353]	[1981]	[1911]	[1594]	[813]	[1321]		[445]
3240	32	40	61 1/4	78	75 1/4	62 3/4	32	52	N/A	1142
	[813]	[1016]	[1556]	[1981]	[1911]	[1594]	[813]	[1321]		[518]
3255	32	55	61 1/4	93	90 1/4	62 3/4	32	52	N/A	1380
	[813]	[1397]	[1556]	[2362]	[2292]	[1594]	[813]	[1321]		[626]
3270	32	70	61 1/4	110 3/4	105 1/4	62 3/4	32	52	N/A	1817
	[813]	[1778]	[1556]	[2813]	[2673]	[1594]	[813]	[1321]		[824]
3855	38	55	67 1/4	93	90 1/4	62 3/4	32	52	N/A	1513
	[965]	[1397]	[1708]	[2362]	[2292]	[1594]	[813]	[1321]		[686]
3870	38	70	67 1/4	110 3/4	105 1/4	62 3/4	32	52	N/A	1984
	[965]	[1778]	[1708]	[2813]	[2673]	[1594]	[813]	[1321]		[900]
TRIPLE STACK	A	B	C	D	E	F	G	H	J	WEIGHT
1832	18	32	47 1/4	70	67 1/4	67 3/4	17	37	57	1216
	[457]	[813]	[1200]	[1778]	[1708]	[1721]	[432]	[940]	[1448]	[552]
1855	18	55	47 1/4	93	90 1/4	67 3/4	17	37	57	1624
	[457]	[1397]	[1200]	[2362]	[2292]	[1721]	[432]	[940]	[1448]	[737]
2440	24	40	53 1/4	78	75 1/4	67 3/4	17	37	57	1386
	[610]	[1016]	[1353]	[1981]	[1911]	[1721]	[432]	[940]	[1448]	[629]
3240	32	40	61 1/4	78	75 1/4	67 3/4	17	37	57	1617
	[813]	[1016]	[1556]	[1981]	[1911]	[1721]	[432]	[940]	[1448]	[733]
3255	32	55	61 1/4	93	90 1/4	67 3/4	17	37	57	1964
	[813]	[1397]	[1556]	[2362]	[2292]	[1721]	[433]	[941]	[1448]	[891]
3270	32	70	61 1/4	110 3/4	105 1/4	67 3/4	17	37	57	2610
	[813]	[1778]	[1556]	[2813]	[2673]	[1721]	[433]	[941]	[1448]	[1184]
3855	38	55	67 1/4	93	90 1/4	67 3/4	17	37	57	2156
	[965]	[1397]	[1708]	[2362]	[2292]	[1721]	[433]	[941]	[1448]	[978]
3870	38	70	67 1/4	110 3/4	105 1/4	67 3/4	17	37	57	2846
	[965]	[1778]	[1708]	[2813]	[2673]	[1721]	[433]	[941]	[1448]	[1291]

# ELECTRICAL REQUIREMENTS

<b>Gas Oven Electrical Requirements</b>									
Per EACH Oven									
<b>Oven Model</b>	<b>AUSTRALIA</b>			<b>STANDARD</b>			<b>WORLD</b>		
	<b>Volts AC</b>	<b>Amps</b>	<b>Hertz</b>	<b>Volts AC</b>	<b>Amps</b>	<b>Hertz</b>	<b>Volts AC</b>	<b>Amps</b>	<b>Hertz</b>
1832	220/230/ 240 VAC 1Φ	3	50	120 VAC 1Φ	6	60	220/230/ 240 VAC 1Φ	3	50
2440		3			6			3	
3240		3			6			3	
3255		3			6			3	
3270		6			12			6	
3855		3			6			3	
3870		6			12			6	
Install in accordance with the latest version of AS/NZS 3000 wiring									

<b>Electric Oven Electrical Requirements</b>								
Per EACH Oven								
<b>Oven Model</b>	<b>STANDARD</b>			<b>WORLD</b>			<b>ALL</b>	
	<b>Volts AC</b>	<b>Amps</b>	<b>Hertz</b>	<b>Volts AC</b>	<b>Amps</b>	<b>Hertz</b>	<b>Phase</b>	<b>KW</b>
1832	208/240	44/38	60	380	24	50	3	16
1855	208/240/480	88/77/38			48			32
2440	208/240/480	75/65/33			41			27
3240	208/240/480	75/65/33			41			27
3255	208/240/480	88/77/38			48			32
3855	208/240/480	88/77/38			48			32
4 Wire Service - L1, L2, L3 +1 Ground (per oven)				5 Wire Service - L1, L2, L3 N +2 Grounds (per oven)				

## GAS REQUIREMENTS

Gas Oven Heating Values & Orifice Sizes										
Oven Model	Heating Values				Orifice Sizes					
	Australian		Standard & World		Australian		Standard & World			
	All Fuels				NAT	LP	NAT		LP	
	MJ/HR	KW/HR	BTU/HR	KW/HR	MM	MM	Inches	MM	Inches	MM
1832	63	17.5	47,700	13.97	3.56	2.24	0.125	3.18	0.081	2.06
2440	79	22.0	67,200	19.68	3.96	2.44	0.144	3.66	0.089	2.26
3240	105	29.2	96,100	28.14	4.62	2.79	0.170	4.32	0.113	2.87
3255	169	47.0	119,900	35.11	5.94	3.66	0.191	4.85	0.116	2.95
3270	190	52.8	140,800	41.23	4.39	2.64	0.144	3.66	0.096	2.44
3855	169	47.0	142,200	41.64	5.94	3.66	0.209	5.31	0.125	3.18
3870	190	52.8	137,900	40.38	4.39	2.64	0.144	3.66	0.096	2.44

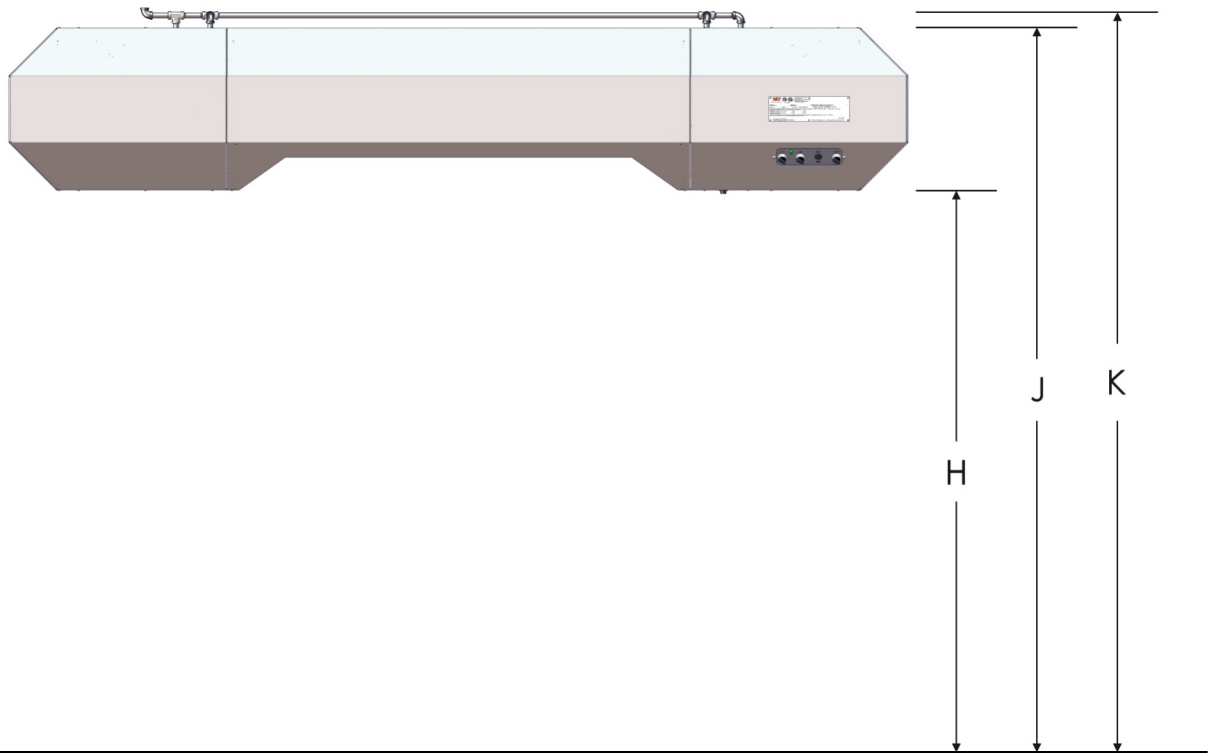
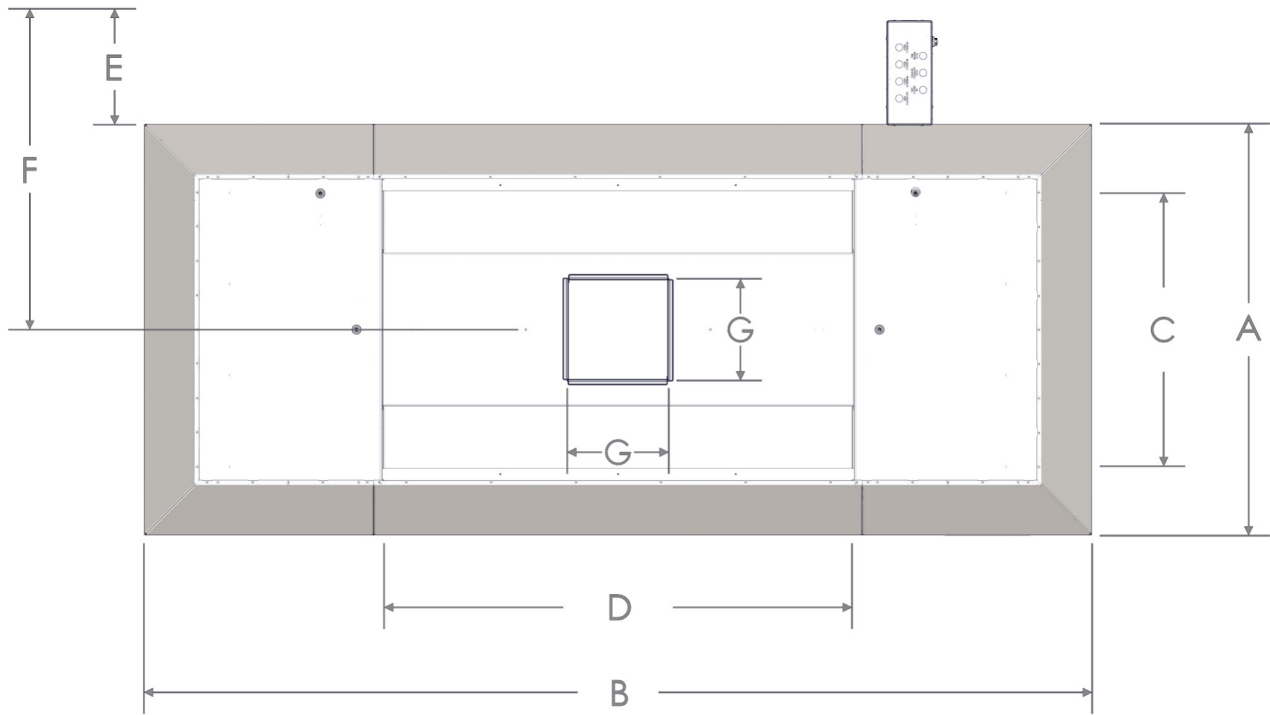
Gas Oven Fuel Pressure Requirements												
Oven Models	Inlet Pressure Range						Manifold Pressure					
	Natural Gas			LP Gas			Natural Gas			LP Gas		
	W/C	mbar	kPa	W/C	mbar	kPa	W/C	mbar	kPa	W/C	mbar	kPa
All	6-14	15-35	1.5-3.5	11.5-14	27.5-35.0	2.75-3.50	3.5	8.75	0.875	10	25	2.5

## OPERATING RANGES

Conveyor Belt Times (Min:Sec)		
Oven Models	MINIMUM	MAXIMUM
All	1:30	17:00

Oven Operating Temperature Range		
Oven Models	MINIMUM	MAXIMUM
All	400° F	590° F
	205° C	310° C

# HOOD DIMENSIONS



# HOOD DIMENSIONS & FLOW RATES

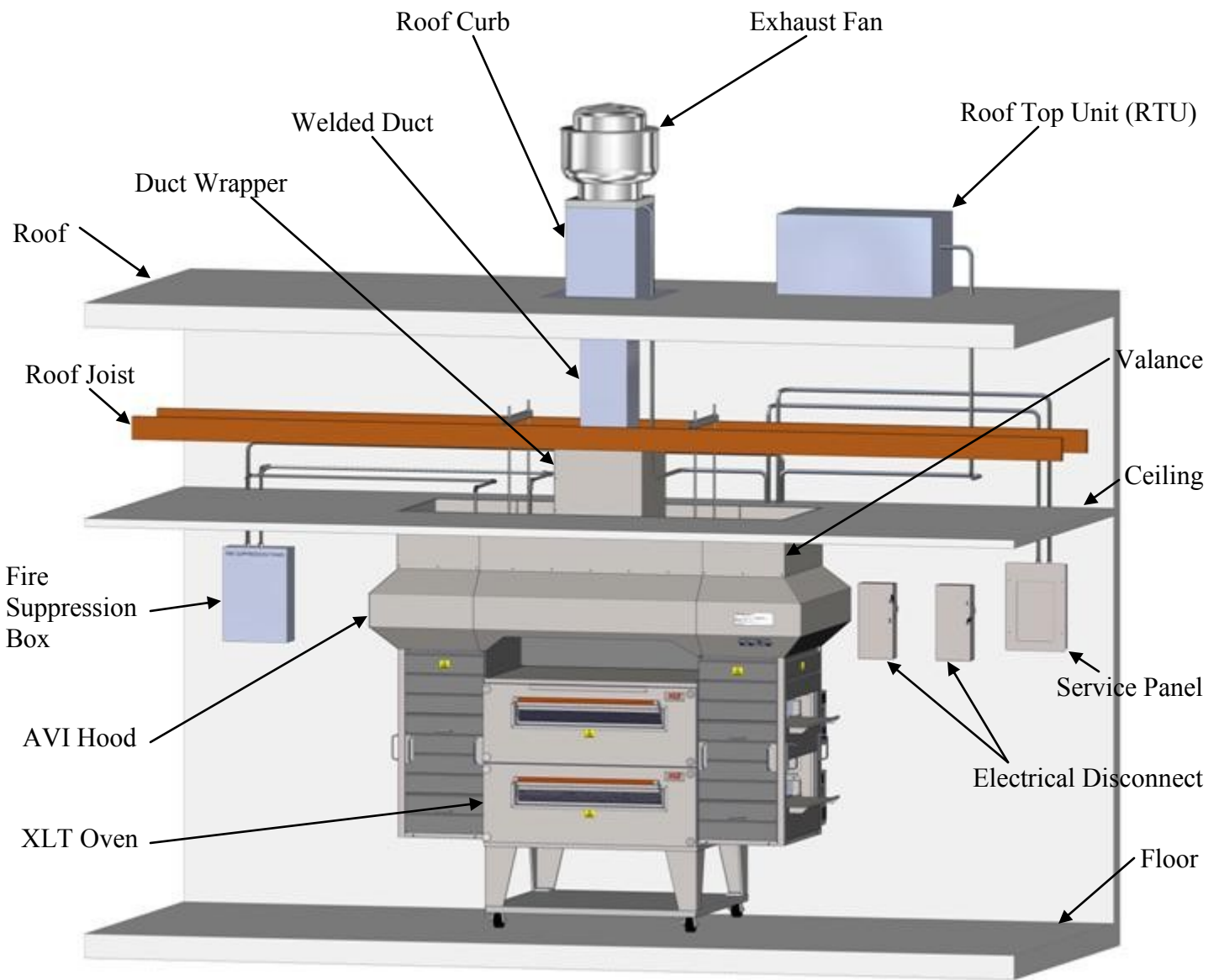
Oven Model	Hood Dimensions										Hood Weights		
	A	B	C	D	E	F	G	H	J	K	Single	Double	Triple
1832	34 3/8 [873]	88 5/8 [2251]	18 [457]	32 [813]	13 1/2 [343]	30 5/8 [778]	12 [305]	69 5/8 [1768]	89 3/4 [2280]	91 5/8 [2327]	540 [245]	500 [227]	525 [238]
1855	34 3/8 [873]	111 5/8 [2835]	18 [457]	55 [1397]		30 5/8 [778]					615 [279]	565 [256]	590 [268]
2440	40 3/8 [1026]	96 5/8 [2454]	24 [610]	40 [1016]		33 5/8 [854]					620 [281]	570 [259]	595 [270]
3240	48 3/8 [1229]	96 5/8 [2454]	32 [813]	40 [1016]		37 5/8 [956]					680 [308]	630 [286]	655 [297]
3255	48 3/8 [1229]	111 5/8 [2835]	32 [813]	55 [1397]		37 5/8 [956]					740 [336]	670 [304]	695 [315]
3270	48 3/8 [1229]	126 5/8 [3216]	32 [813]	70 [1778]		37 5/8 [956]					780 [354]	705 [320]	720 [327]
3855	54 3/8 [1381]	111 5/8 [2835]	38 [965]	55 [1397]		40 5/8 [1032]					795 [361]	720 [327]	745 [338]
3870	54 3/8 [1381]	126 5/8 [3216]	38 [965]	70 [1778]		40 5/8 [1032]					825 [374]	750 [340]	770 [349]

Exhaust Flow Rates (min. recommended)								
	1832	1855	2440	3240	3255	3270	3855	3870
<b>Single</b>	500 [14.16]	500 [14.16]	500 [14.16]	500 [14.16]	500 [14.16]	500 [14.16]	500 [14.16]	500 [14.16]
<b>Double</b>	506 [14.33]	506 [14.33]	644 [18.24]	828 [23.45]	828 [23.45]	828 [23.45]	966 [27.35]	966 [27.35]
<b>Triple</b>	766 [21.69]	766 [21.69]	975 [27.61]	1254 [35.51]	1254 [35.51]	1254 [35.51]	1463 [41.43]	1463 [41.43]

NOTE: All values are CFM [M<sup>3</sup>/Min] unless otherwise noted.

AVI Hood Electric Utility Specifications			
	# of Circuits	Rating	Purpose
<b>Australian</b>	1	230 VAC, 1 Phase, 50 Hz, 3 Amp	VFD Controller
	1	230 VAC, 1 Phase, 50 Hz, 1 Amp	Lights
<b>Standard</b>	1	208/240 VAC, 3 Phase, 60 Hz, 3 Amp	VFD Controller
	1	120 VAC, 1 Phase, 60 Hz, 1 Amp	Lights
<b>World</b>	1	230 VAC, 1 Phase, 50 Hz, 3 Amp	VFD Controller
	1	230 VAC, 1 Phase, 50 Hz, 1 Amp	Lights

# TYPICAL STORE INSTALLATION



Typical Store Installation



Simple. Smart.