



CRO-1G/CRO-1E COMPACT RACK OVEN

FEATURES

- **Superior Baking Performance.** Low velocity air flow produces an even bake from top to bottom.
- **Energy Efficient** - Exceptional thermal efficiency with tubular side mounted heat exchanger.
- **Self Contained Steam System** for maximum shine, crust formulation and oven jump.
- **Quality** construction stainless steel (Series 300) interior and exterior.
- **Compact Design** - Utilizes only 17½ sq. ft. of floor space.
- **Easy Operation** - with EZ guide top mounted rack lift with flush floor - no rotating platform for easy handling, safety and sanitation.
- U L rated for zero clearance - sides and back.
- Capacity - 1 single rack 72¼" (18"x26" pan) end load.
- Standard with hood & evacuation fan.
- Shipped in one section for ease of installation.

OPTIONS INCLUDE

- Stainless steel or aluminum racks (D Lift) standard. (C Lift optional.)
- 480/60/3ø
- Prison Package
- Microprocessing Computer Control

Specifications, Details and Dimensions on Reverse Side.



**CRO1G Gas Heated
CRO1E Electric
Compact Rack Oven**

CRO-1G/CRO-1E COMPACT RACK OVEN



LEGEND

- Water** – ½" NPT/35-60 PSI required/ HOT or COLD (hot water not to exceed 120°F)/89¼" A.F.F. (see notes)/Line dropped from ceiling/Custom to install in-line filter shutoff, line strainer and disconnect in easily accessible area.
- Combustion Flue (CRO-1G only)** – 4½" O.D. must increase to 8" flue immediately above oven/must use type B metalbestos pipe immediately above draft inducer. Oven supplied with draft inducer, barometric damper and fan proving switch to be installed by customer (see notes).
- Steam Exhaust** 7"Ø/Built-in power ventilation fan (800 cfm) w/door switch/ Single walled vent pipe/joints inverted to carry moisture back into oven (see notes).
- Electrical** 208-220/60/3 plus ground and neutral (5 wire connection) - electric line sizing see AMP rating chart below for gas or electric heated units.
- Gas Connection (CRO-1G only)** – ¾" NPT/Firing rate-170,000 BTU's. Static line pressure required 7-10" W.C.N.G. or 9-14" W.C.L.P. Line dropped from ceiling/27"A.F.F.-B.C.D. (see notes)/Drip leg and union to be installed by customer.

6&7. Drain-½" NPT/2¼" A.F.F. (see notes)/ Front drain B.C.D./Use either front or rear connection-capoff unused drain/ DO NOT SLOPE DRAIN UPWARDS.

NOTES

- A.F.F. - Above finished floor.
- B.C.D. - Behind control door.
- Customer responsible to furnish and install all utilities to and from oven.
- All services must comply with all federal, state and local codes.
- Oven must be installed on smooth, heat resistant and level floor.
- Oven U L listed for "0" clearance, may

be put against walls both back and sides.

- Combustion flue must be installed straight or warranty may be voided. Consult factory for alternate installation methods.
- Top of oven requires a minimum of 24" for service accessibility.
- All flues must be vented outside of building and windproof caps installed.
- Height of all flues must be equal and installed at a minimum of 4' above roof line or 2' above parapet wall.

Manufacturer reserves the right to make changes in sizes and specifications.

SPECIFICATIONS

	CRO-1G	CRO-1E
Ventilation - Steam	← 7" Dia. Single Wall →	
Ventilation - Gas	4½" Dia. M Type B	N/A
Gas BTU's (¾" NPT)	170,000	N/A
Water/Drain Connections	← ½ NPT/½ NPT →	
Overall Dimensions	← 55½"W x 65¼"D x 96"H →	
Dimensions (Crated)	← 60"W x 54"D x 102"H →	
Net Weight (approx.)	1,650 lbs.	1,550 lbs.
Crated Weight (approx.)	1,870 lbs.	1,770 lbs.

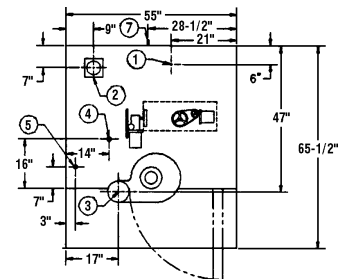
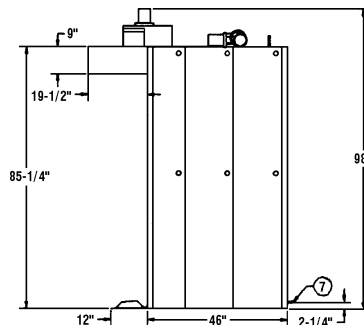
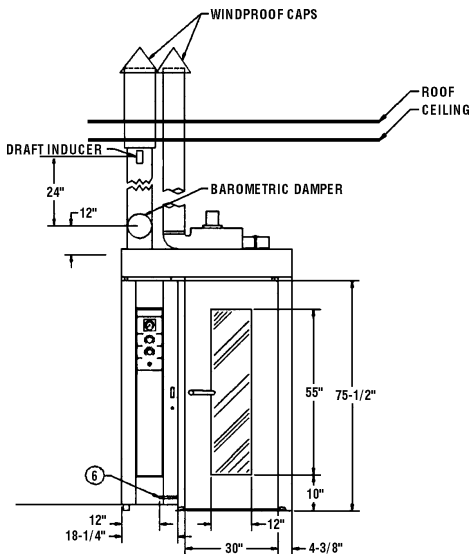
UTILITIES

ELECTRICAL	TOTAL KW	FULL LOAD AMPS 3 PHASE, 5 WIRE			MIN. SUPPLY CIRCUIT CONDUCTOR AMPACITY		
		208	240	480	208	240	480
CRO-1G	3.5	17.5	15.2	7.6	25	20	10
CRO-1E	30.5	92.5	80.2	40.1	120	100	50

NOTE: UNIT COMES FULLY ASSEMBLED EXCEPT FOR THE CANOPY, STEAM EXHAUST FAN AND DOOR RAMP.

PIPE SIZE	TYPE OF GAS	CAP.-MBH PIPE LENGTH			
		15	30	45	90
¾	PROPANE	X			
	NATURAL	X			
1	PROPANE		X		
	NATURAL		X		
1¼	PROPANE			X	X
	NATURAL			X	X
1½	NATURAL				X

DETAILS AND DIMENSIONS



FORM F-7610 (1194)



EXECUTIVE OFFICES
701 RIDGE AVENUE
TROY, OHIO 45374-0001

LITHO IN U.S.A. (H-43)